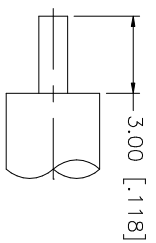
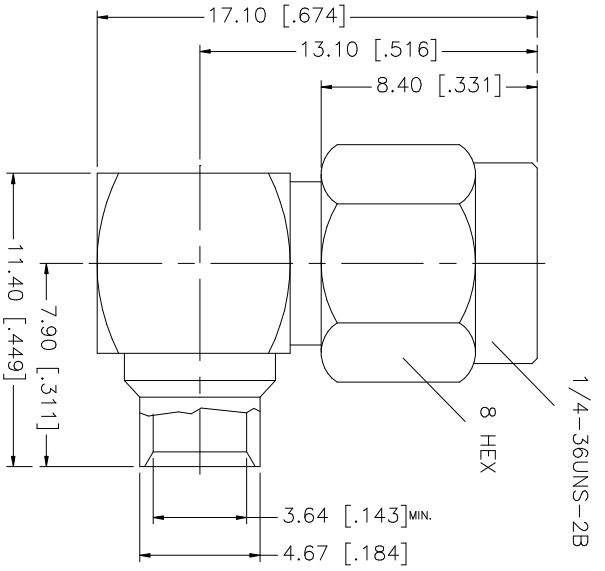
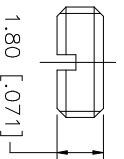


| REV. | DATE | DESCRIPTION |
|------|----------|-----------------|
| NC | 05/22/03 | INITIAL RELEASE |



RECOMMENDED
CABLE STRIPPING DIM'S



| QTY | FINISH | MATERIAL | DESCRIPTION |
|-----|---------|-------------|---------------|
| 1 | GOLD | BRASS | COVER |
| 1 | RED | SILICONE | GASKET |
| 1 | NATURAL | BER. COPPER | RETAINER RING |
| 1 | GOLD | BRASS | CONTACT PIN |
| 1 | NATURAL | TEFLON | INSULATOR |
| 1 | GOLD | BRASS | BODY |
| 1 | GOLD | BRASS | SHELL |
| | | | DESCRIPTION |

| APPROVALS | DATE |
|--------------|----------|
| DRAWN G.R.S. | 05/22/03 |
| CHECKED | |
| ISSUED | |
| SHEET 1 OF 1 | |

| |
|--|
| UNLESS OTHERWISE SPECIFIED DIMENSIONS ARE IN MILLIMETERS. DIMENSIONS IN [] ARE IN INCHES AND FOR CUSTOMER REFERENCE ONLY. |
| UNLESS OTHERWISE SPECIFIED TOLERANCES FOR MILLIMETERS ARE: 0.5 - 8mm ± 0.20mm 8 - 30mm ± 0.40mm 30 - 120mm ± 0.50mm |
| UNLESS OTHERWISE SPECIFIED TOLERANCES FOR INCHES ARE: .020 - .315 = ± 0.007" .315 - 1.180 = ± 0.015" 1.180 - 4.724 = ± 0.020" |
| DO NOT SCALE DRAWING |

| | | | | |
|----------------------------|---------------------|---------|--------|----------|
| GAD FILE C:/132/132112.DWG | DWG. NO. 132112.DWG | REV. NC | SIZE A | SCALE NA |
|----------------------------|---------------------|---------|--------|----------|

| | |
|--|--------|
| Amphenol Connex | |
| PART DESCRIPTION SMA R/A DIRECT SOLDER PLUG (FOR .141" SEMI-RIGID CABLE) | |
| PART NO. | 132112 |